

GUN BOSS®-AR15 – COMPACT AR15 CLEANING ROD KIT



The Gun Boss AR15 system cleans and protects AR15's with task specific high quality tools in a compact weather resistant case. Follow these simple steps when cleaning your rifle to ensure proper function and reliability.

SAFETY FIRST

BE SURE YOUR FIREARM IS UNLOADED: PUT THE FIREARM ON "SAFE." REMOVE THE MAGAZINE. PULL BACK ON THE CHARGING HANDLE, AND MAKE CERTAIN THAT THE CHAMBER IS EMPTY. WORK IN A WELL VENTILATED AREA AND WEAR EYE AND HAND PROTECTION.

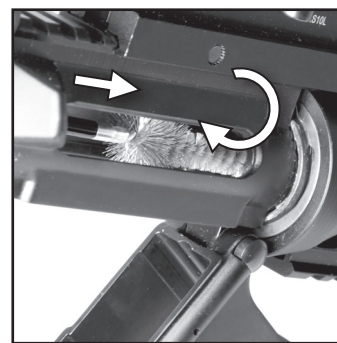
NOTE: It is important that all of your cleaning strokes follow from action to muzzle. Before cleaning it is important to remove the takedown pin and lift the upper receiver from the lower receiver so that you have access for proper cleaning. During cleaning it is also important that the barrel is angled so that excess solvent will exit the muzzle and not drain back into the action.

AR15 CLEANING INSTRUCTIONS FOR 5.56/.223 AR15'S

STEP 1: Connect two fixed cleaning rods to the T-handle. Then connect the chamber brush to the other end of the rod and apply a light amount of solvent to the bristles.

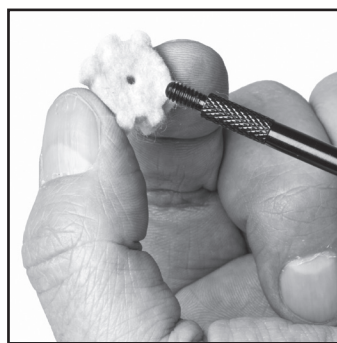


STEP 2: Insert the chamber brush into the chamber and rotate clockwise to loosen fouling.



STEP 3: Replace the chamber brush with the male thread adaptor and a felt chamber star. Apply a few drops of solvent to chamber star. Insert chamber star and rotate clockwise to absorb the loosened fouling. Repeat this step using additional chamber stars until they come out clean.

For stubborn fouling remaining in the chamber use the included pick set to gently dislodge it. Do not apply an excessive amount of force to the picks. Excessive force may damage picks and/or firearm.



STEP 4: Find the rotating rod section and connect it to the T-handle. Then connect the appropriate number of fixed rods to clean the full length of the bore.



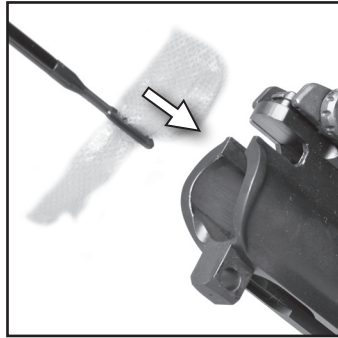
STEP 5: Attach the slotted bore patch tip to the end of the rod. Slide a cleaning patch through tip. Apply a generous amount of solvent to the patch.



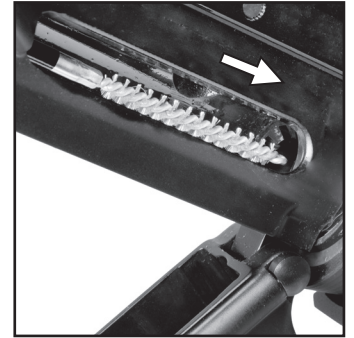
GUN BOSS™-AR15 – COMPACT AR15 CLEANING ROD KIT

CLEANING INSTRUCTIONS CONTINUED

STEP 6: While guiding the rod with both hands push the patch through bore from action to muzzle. Wait several minutes for solvent to work properly. This step moistens and begins to loosen fouling.



STEP 7: Attach the bore brush to the rod. Guide the rod and push the brush through bore from action to muzzle. This step loosens more fouling.



STEP 8: Re-attach the slotted bore patch tip to the rod (with a clean/dry patch). Push the clean patch through bore. The patch will absorb loosened fouling. Repeat steps 5 through 8 using multiple patches until the last patch comes out clean.



STEP 9: Once the chamber and bore are clean proceed to wipe down the action with a clean patch lightly coated in solvent. Stubborn fouling may be removed with nylon brush. Be sure to remove any stray fouling after brushing. Finally, wipe down action with a clean dry patch to remove any excess solvent.



STEP 10: Maintaining a clean bolt carrier group is also essential to proper AR15 function. Remove any excess carbon build up using solvent along with the brushes and picks included in this kit.

We also recommend the use of a high quality scraper such as “The AR15 Scraper” by Real Avid. The “AR15 Field Guide” by Real Avid is another great addition to your cleaning kit. The AR15 Field Guide clearly depicts the parts, disassembly, cleaning, and lubrication necessary for proper AR15 function.



NOTE: After handling a firearm it is good practice to wipe down external metal components with a very light coat of CLP or gun oil to reduce oxidation.

TO FRIENDS AND CUSTOMERS: As the owners of Real Avid, authenticity isn't just a strategy here. It's a guiding philosophy. It arises out of our faith and personal relationships with Jesus Christ. We know that our creativity and success ultimately comes from Him. He cares about each of us and about our customers. We're not perfect, but we are committed to following Him in our personal and business lives.

We look forward to growing our relationship with you and continuing to earn our place.



Revo Brand Group, LLC
5480 Nathan Lane North, Suite 120
Minneapolis, MN 55442 USA

RealAvid.com • 800-286-0567

©2018 Revo Brand Group