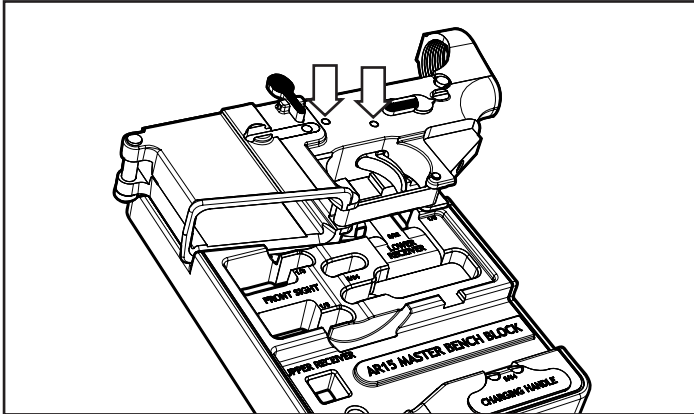
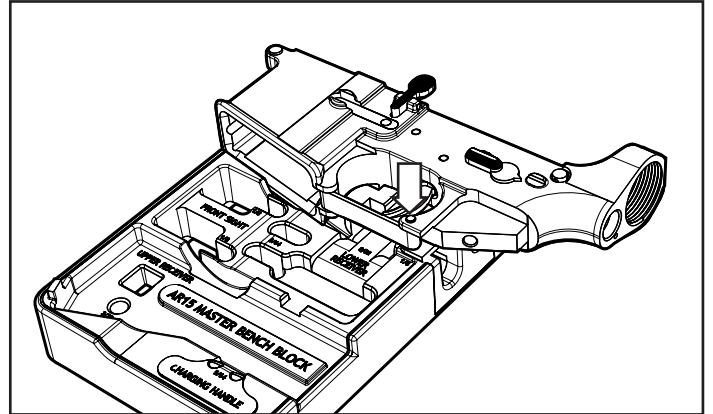


AR15 MASTER BENCH BLOCK™

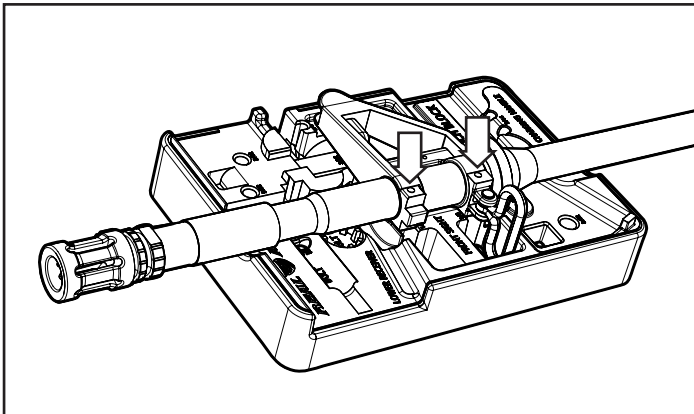
USER GUIDE & WARRANTY



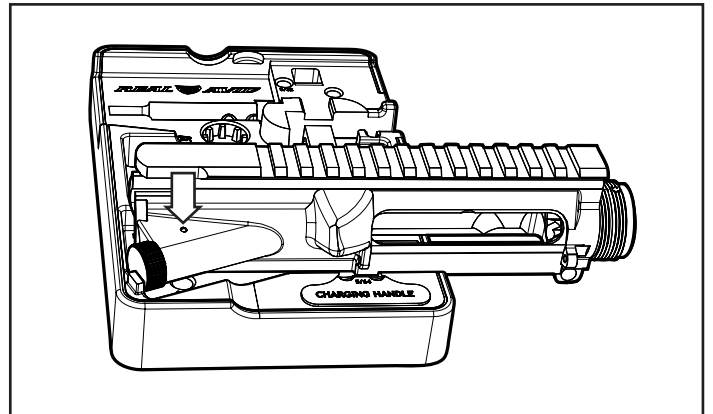
TRIGGER ASSEMBLY: The trigger assembly can be removed by knocking out two 5/32" pins located on the side of the lower receiver. Lay the lower receiver on its right side as shown and use a 5/32" punch to remove these two pins. **Note that the pistol grip should be removed for proper fit.**



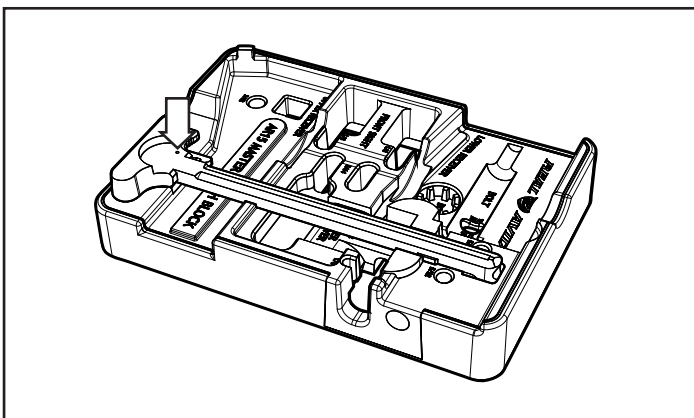
TRIGGER GUARD: The trigger guard can be removed from many lower receivers. For proper removal, lay the lower receiver on its right side as shown and use a 1/8" punch to remove the trigger guard pin. **Note that the pistol grip should be removed for proper fit.**



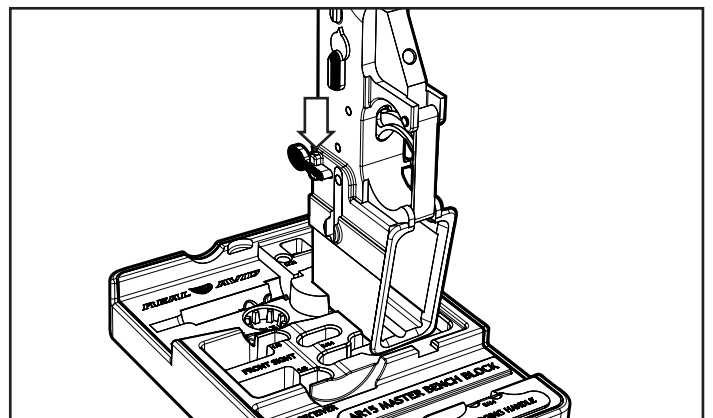
GAS BLOCK: Gas blocks come in many sizes and shapes. The standard A2 gas block has three removable pins: two 1/8" pins and one 5/64" pin. The gun barrel and gas block assembly can be placed on the bench block in two orientations for added convenience while removing or installing pins.



FORWARD ASSIST: To remove the pin from the forward assist, position upper receiver as shown. Be sure to depress the forward assist as you align the take down peg into the square hole in the block. Holding the forward assist in this compressed position removes the force on the roll pin. Use a 3/32" punch to remove or install pin.



CHARGING HANDLE: Place the charging handle in the upright position as shown. Standard charging handles have one 5/64" pin. Custom charging handles can have multiple pins in various locations. Consult charging handle manufacturer for exact pin sizes to reduce the risk of causing damage to the charging handle.

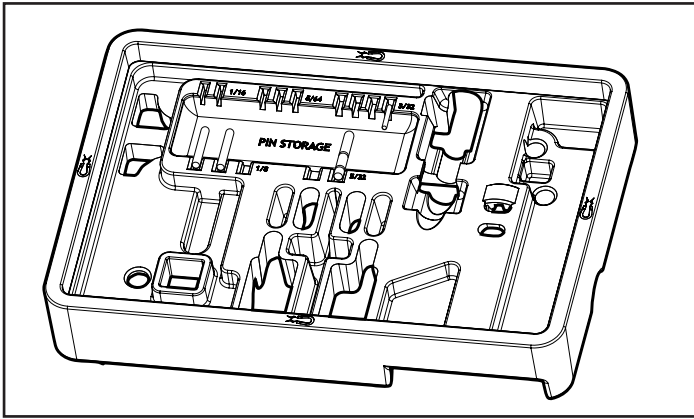


BOLT CATCH: The bolt catch has a 3/32" roll pin that can be removed by placing the lower receiver in a vertical orientation. With the pivot pin in the pulled-out position, mount the receiver onto the block. Press the pivot pin in to lock the receiver into the block. Use a 3/32" punch to remove the roll pin.

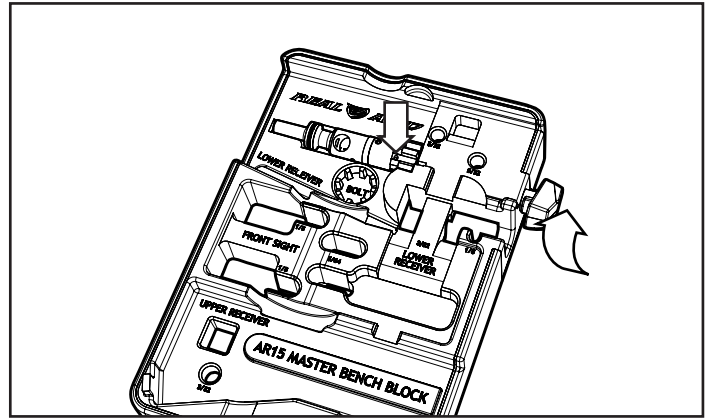


AR15 MASTER BENCH BLOCK

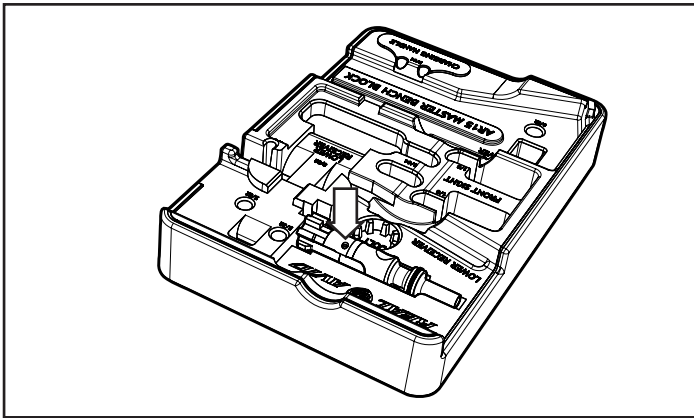
USER GUIDE & WARRANTY



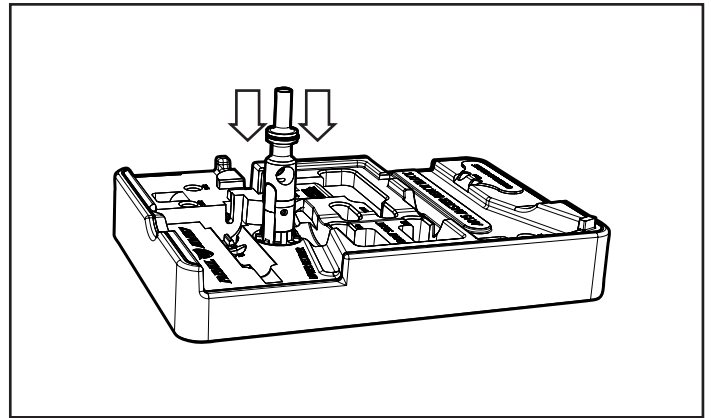
PIN STORAGE: Place pins into their designated slots on the bottom side of the bench block for storage during assembly or disassembly. There are also four powerful magnets embedded in the side walls to help capture loose pins as they are punched out.



BOLT EJECTOR: The bolt ejector is retained by a 1/16" roll pin. The roll pin is under tension from the spring loaded ejector. To relieve the tension, lay the bolt onto the bench block as shown and tighten the bolt ejector compression screw, then remove or install the roll pin. **Note that the precise orientation of the bolt is critical for this process.**



BOLT EXTRACTOR: Bolt extractors have a 3/32" solid pin. Place the bolt on its side as shown and tap out pin with a 3/32" punch.



BOLT GAS RING INSTALLATION: Place the bolt in the vertical position to install the three gas rings.

WARNING: If small deformations occur they should not impact the function of the block. If deformations do impact the function of the block, do not attempt to continue using the block. Using excessively deformed bench blocks increases the potential for accidents and potentially damaging gun components or personal injury.

WARRANTY

WARRANTY: Limited – 3 Year Warranty: The AR15 Master Bench Block is guaranteed free of defects in materials and workmanship for three years from date of original purchase. Real Avid will replace or repair any product that proves defective upon our inspection. Use of the AR15 Master Bench Block for anything other than its intended purpose is considered misuse and voids this warranty. For warranty service, send the product, proof of purchase with shipping paid, along with an explanation of the defect, as well as your name, address and phone number to the address below. This warranty excludes damage resulting from deliberate or accidental misuse. Warranty does not cover rust, stains or corrosion, or normal wear and tear. Repair or replacement is the exclusive remedy under this warranty. Real Avid, its partners and affiliates are not liable for incidental or consequential damage resulting from use. Some states do not allow exclusion or limitation of incidental or consequential damages; therefore, the above exclusions may not apply to you. This warranty gives you specific legal rights, and you may have other rights, which vary from state to state.

TO FRIENDS AND CUSTOMERS: As the owners of Real Avid, authenticity isn't just a strategy here. It's a guiding philosophy. It arises out of our faith and personal relationships with Jesus Christ. We know that our creativity and success ultimately comes from Him. He cares about each of us and about our customers. We're not perfect, but we are committed to following Him in our personal and business lives.

We look forward to growing our relationship with you and continuing to earn our place.



Revo Brand Group, LLC
5480 Nathan Lane North, Suite 120
Minneapolis, MN 55442 USA

RealAvid.com • 800-286-0567

©2018 Revo Brand Group