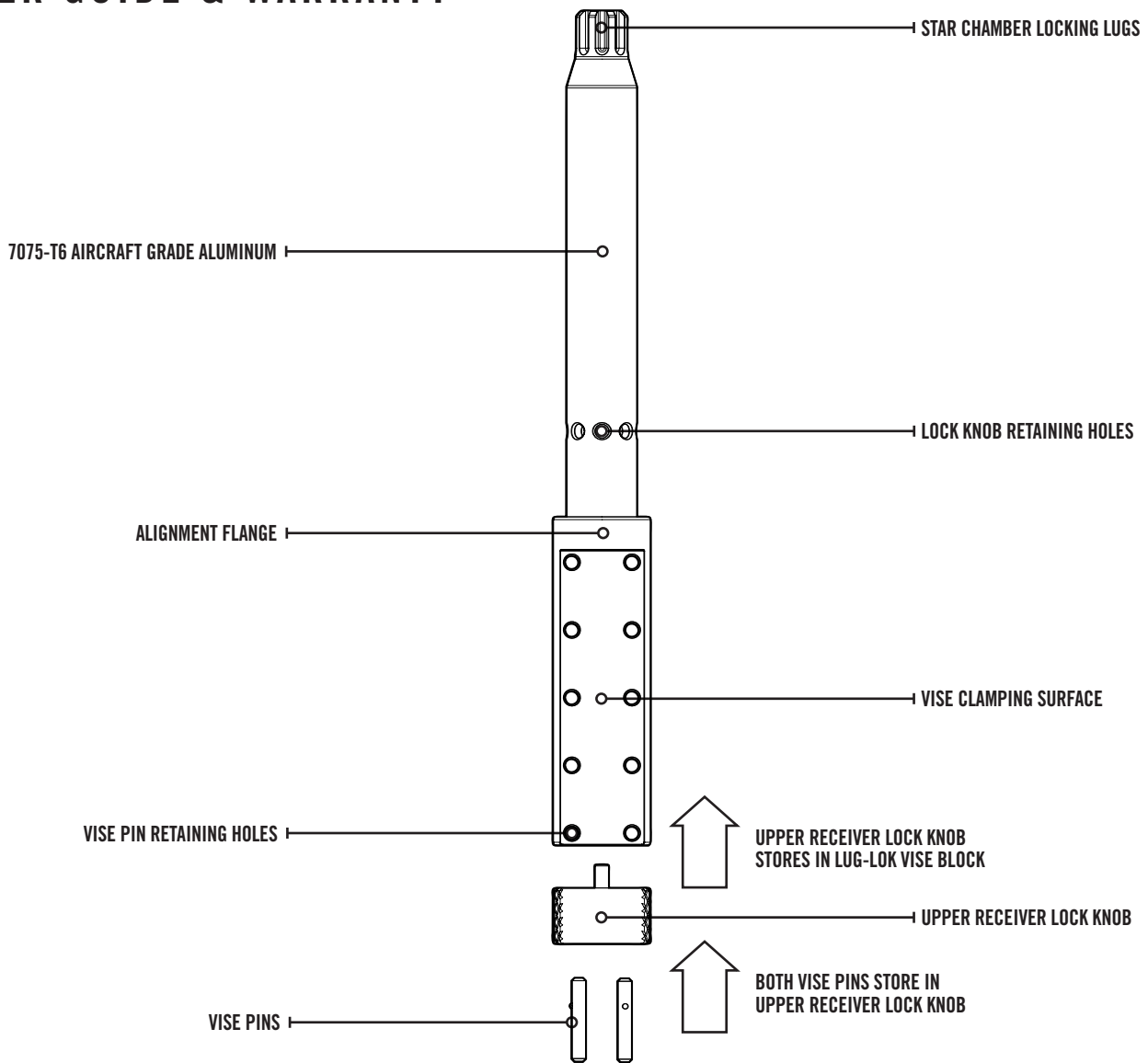


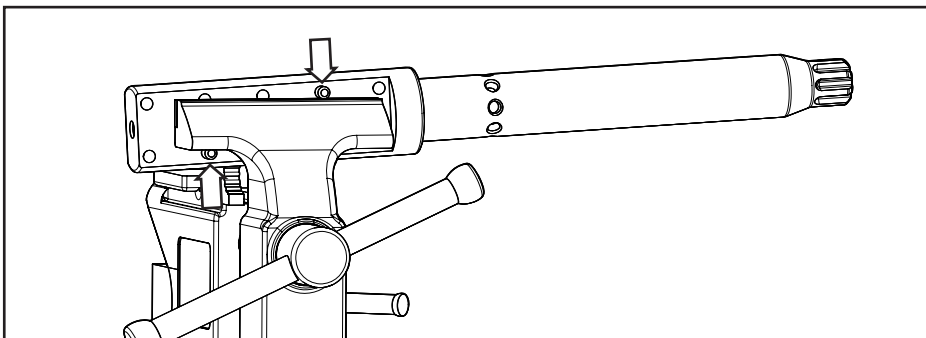
LUG-LOK UPPER VISE BLOCK™

USER GUIDE & WARRANTY



SAFETY: Before using the Lug-Lok Upper Vise Block on a firearm, you must **MAKE SURE THAT THE FIREARM IS UNLOADED AND SAFE** to work on. It is your responsibility to exercise caution during the use of this tool, especially when applying torque. Typically the recommended torque range to install a barrel nut is between 30 to 80 ft/lbs. but you should always consult your firearm manufacturer for proper torque requirements. **DO NOT APPLY EXCESSIVE TORQUE.** To avoid damaging your firearm, make sure that you are using an appropriate precision made barrel nut wrench when tightening or loosening a barrel nut.

CORE FEATURES

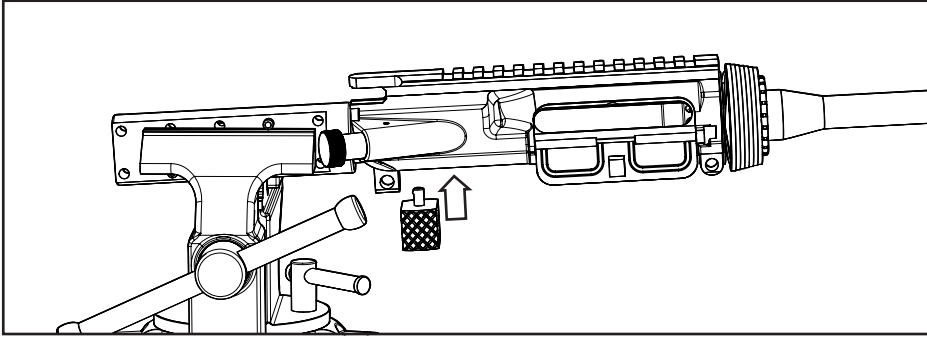


WISE PINS:

The vise pins are designed to be placed on opposite sides of the vise jaws to help secure the Log-Lok Upper Vise Block during use. The clamping surface has a variety of holes to accept the vise pins so that the Log-Lok can be secured at various angles to accommodate a variety of working scenarios.

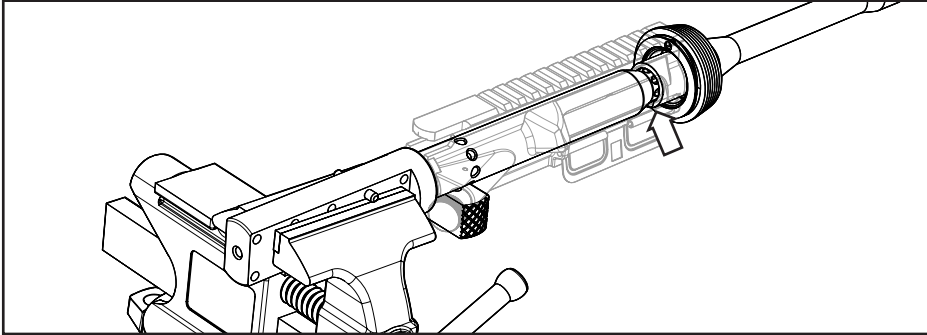


LUG-LOK UPPER VISE BLOCK™



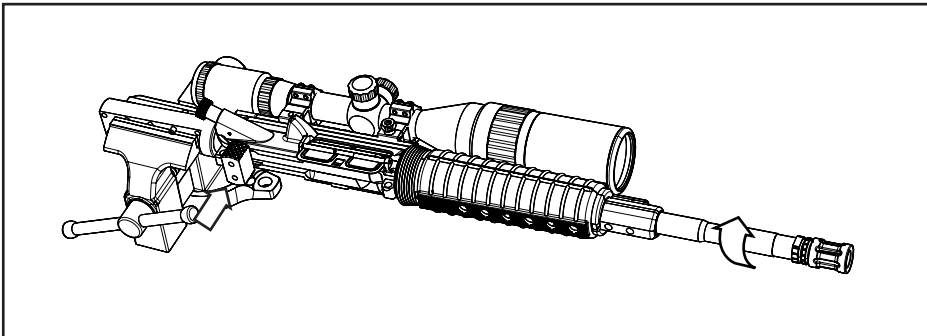
UPPER RECEIVER LOCK KNOB:

This device is used to prevent the upper receiver from moving forward accidentally. When combined with the engagement of the star chamber lugs, the Lock Knob fully secures the barreled upper receiver. Simply slide the barreled upper receiver to the desired position against the alignment flange, then insert the post of the Lock Knob into the corresponding hole on the aluminum shaft. Now the assembly is locked in place.



STAR CHAMBER LOCKING LUGS:

The unique shape on the end of the block has been precisely machined to securely engage with the lugs of the star chamber. These prevent the barreled upper receiver from rotating right or left. They also take the brunt of the torque while tightening or loosening a barrel nut.



VARIETY OF USES:

Because the star chamber is symmetrical, the Lug-Lok Upper Vise Block can hold the barreled upper receiver at a variety of angles. This allows for easy adjustments to a variety of accessories. Simply rotate the barreled receiver to the desired angle and retain it using the Upper Receiver Lock Knob.

CARE & MAINTENANCE: Your Lug-Lok Upper Vise Block should be cleaned periodically. Clean with a lightweight machine oil or non-volatile penetrating oil. Because the Lug-Lok upper Vise Block is machined from aircraft grade aluminum, it won't rust, but it can oxidize. If spots or stains appear, remove with a non-abrasive pad and penetrating oil. Use caution to avoid harming the outer coating.

WARNING: If deformation of the Star Chamber Locking Lugs occurs, do not attempt to continue using the product. Using deformed vise blocks increases the potential for slipping and potentially damaging gun components or causing personal injury.

WARRANTY

WARRANTY: Limited – 3 Year Warranty: The Lug-Lok Upper Vise Block is guaranteed free of defects in materials and workmanship for three years from date of original purchase. Real Avid will replace or repair any product that proves defective upon our inspection. Use of the Lug-Lok Upper Vise Block for anything other than its intended purpose is considered misuse and voids this warranty. For warranty service, send the product, proof of purchase with shipping paid, along with an explanation of the defect, as well as your name, address and phone number to the address below. This warranty excludes damage resulting from deliberate or accidental misuse. Warranty does not cover rust, stains or corrosion, or normal wear and tear. Repair or replacement is the exclusive remedy under this warranty. Real Avid, its partners and affiliates are not liable for incidental or consequential damage resulting from use. Some states do not allow exclusion or limitation of incidental or consequential damages; therefore, the above exclusions may not apply to you. This warranty gives you specific legal rights, and you may have other rights, which vary from state to state.

TO FRIENDS AND CUSTOMERS: As the owners of Real Avid, authenticity isn't just a strategy here. It's a guiding philosophy. It arises out of our faith and personal relationships with Jesus Christ. We know that our creativity and success ultimately comes from Him. He cares about each of us and about our customers. We're not perfect, but we are committed to following Him in our personal and business lives. We look forward to growing our relationship with you and continuing to earn our place.



Revo Brand Group, LLC
5480 Nathan Lane North, Suite 120
Minneapolis, MN 55442 USA

RealAvid.com • 800-286-0567

©2018 Revo Brand Group