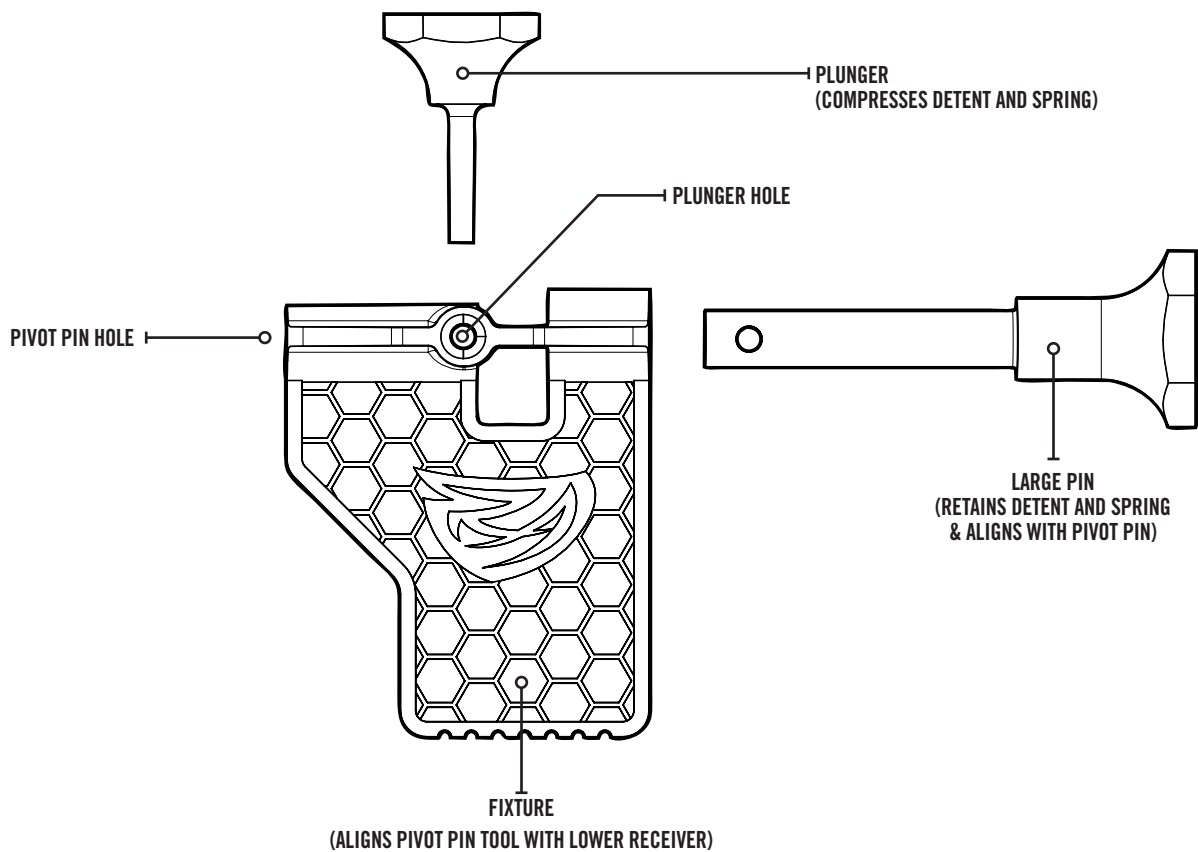


AR15 PIVOT PIN TOOL

USER GUIDE & WARRANTY

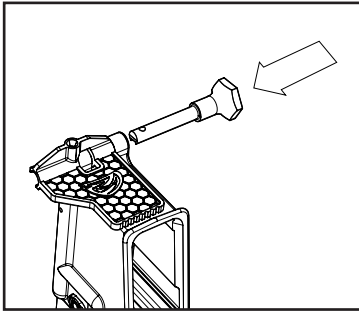


SAFETY: Before using the AR15 Pivot Pin Tool on a firearm, you must **MAKE SURE THAT THE FIREARM IS UNLOADED AND SAFE** to work on. To make installation of the pivot pin easier, we recommend that you place your lower receiver in a properly secured magwell vise block. It is your responsibility to exercise caution during the use of this tool.



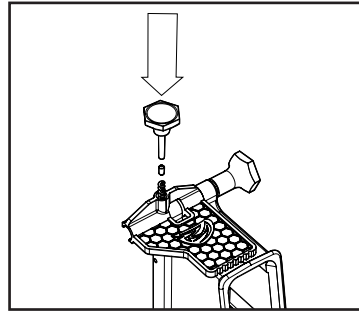
AR15 PIVOT PIN TOOL

HOW TO USE:



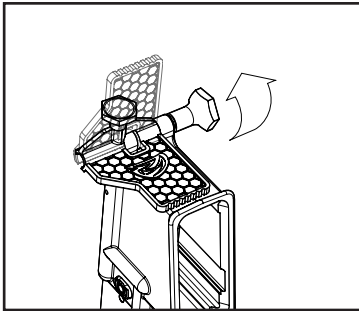
STEP 1:

Install fixture on lower receiver as shown. Next, insert large pin through lower receiver pivot hole and into fixture. Note that groove of large pin must align properly with the fixture.



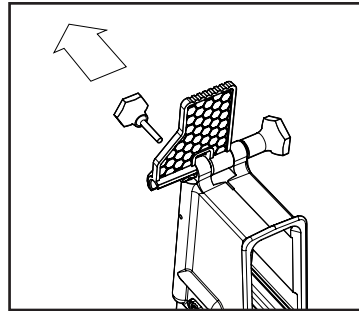
STEP 2:

With fixture and large pin properly assembled, insert spring first and detent second. The spring and detent should go through the fixture and into the lower receiver. With spring and detent in lower receiver, insert plunger all the way to compress spring and detent.



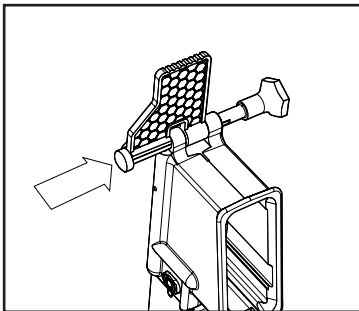
STEP 3:

With plunger compressed entirely, rotate the assembly 90 degrees. Make sure to keep pressure on the plunger as you begin to rotate the assembly. After rotation, the spring and detent will be retained by the large pin.



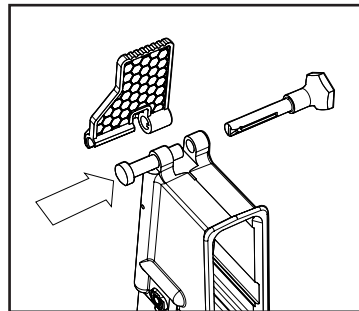
STEP 4:

Now that the spring and detent are retained, you must remove the plunger from the assembly. Removing the plunger allows the large pin to slide freely.



STEP 5:

With plunger removed, insert the pivot pin into the fixture. Keep light pressure between the pivot pin and large pin by squeezing the two pins towards each other while you slide the pivot pin into the position shown. This helps to assure that the spring and detent remain retained.



STEP 6:

Now remove the AR15 Pivot Pin Tool. Start by removing the large pin. Next, remove the fixture by unsnapping it from the pivot pin. Finally, slide the pivot pin into its closed position. Make sure that the groove on the pivot pin is aligned with the spring and detent. You should hear the detent click into place.

CARE & MAINTENANCE: If the components of the AR15 Pivot Pin Tool become dirty over time, it is okay to spot clean them, but DO NOT soak them with water or cleaning solvents, as this may degrade their function and appearance.

WARNING: The plastic components used in the AR15 Pivot Pin Tool are made from a durable engineering grade resin, but they are not indestructible. If damage occurs do not attempt to continue using them. Using damaged build tools increases the potential for damaging gun components and personal injury.

WARRANTY

WARRANTY: Limited – 3 Year Warranty: The AR15 Pivot Pin Tool is guaranteed free of defects in materials and workmanship for three years from date of original purchase. Real Avid will replace or repair any product that proves defective upon our inspection. Use of the AR15 Pivot Pin Tool for anything other than its intended purpose is considered misuse and voids this warranty. For warranty service, send the product, proof of purchase with shipping paid, along with an explanation of the defect, as well as your name, address and phone number to the address below. This warranty excludes damage resulting from deliberate or accidental misuse. Warranty does not cover rust, stains or corrosion, or normal wear and tear. Repair or replacement is the exclusive remedy under this warranty. Real Avid, its partners and affiliates are not liable for incidental or consequential damage resulting from use. Some states do not allow exclusion or limitation of incidental or consequential damages; therefore, the above exclusions may not apply to you. This warranty gives you specific legal rights, and you may have other rights, which vary from state to state.

TO FRIENDS AND CUSTOMERS: As the owners of Real Avid, authenticity isn't just a strategy here. It's a guiding philosophy. It arises out of our faith and personal relationships with Jesus Christ. We know that our creativity and success ultimately comes from Him. He cares about each of us and about our customers. We're not perfect, but we are committed to following Him in our personal and business lives.

We look forward to growing our relationship with you and continuing to earn our place.



Revo Brand Group, LLC
5480 Nathan Lane North, Suite 120
Minneapolis, MN 55442 USA

RealAvid.com • 800-286-0567

©2018 Revo Brand Group