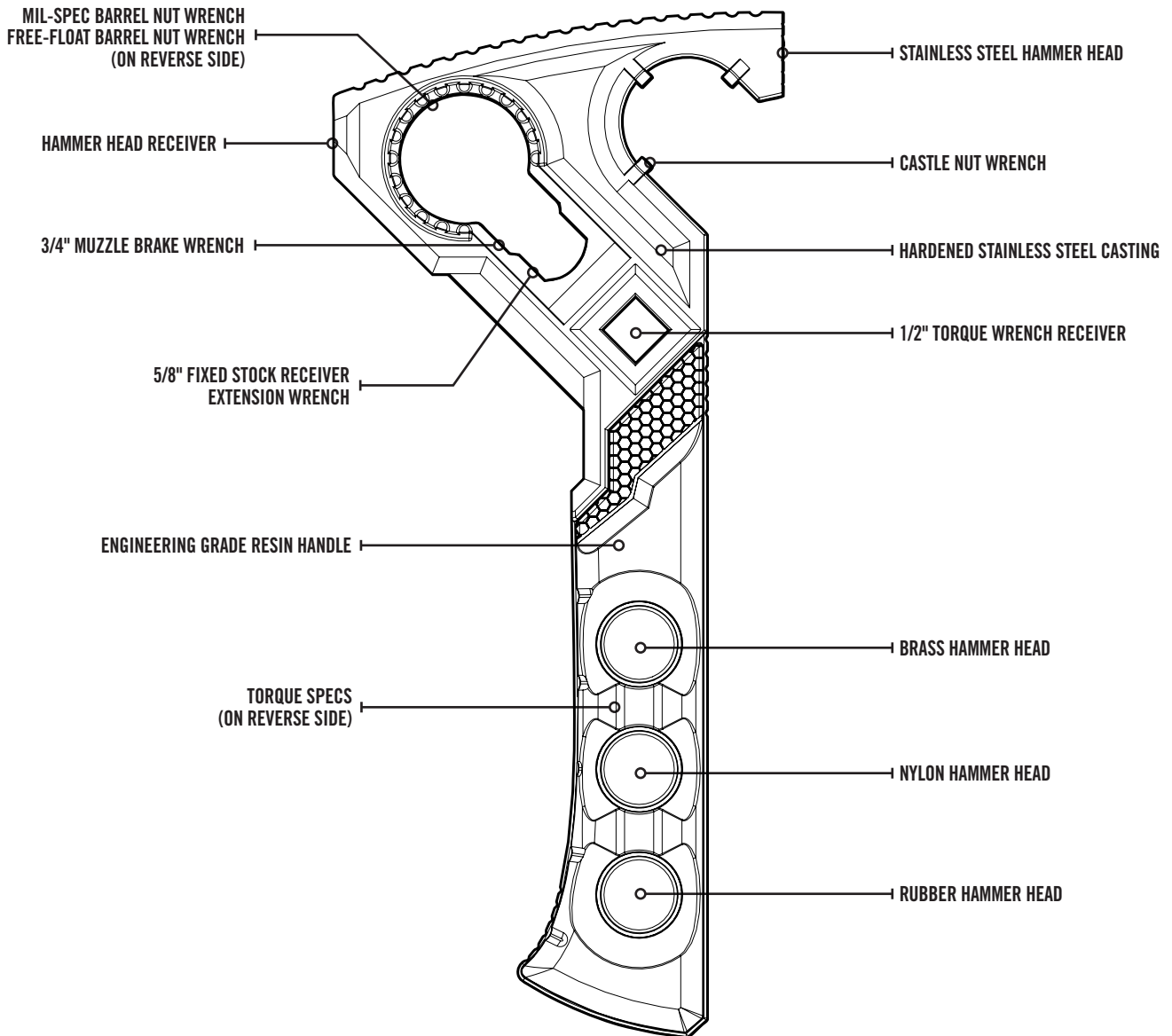


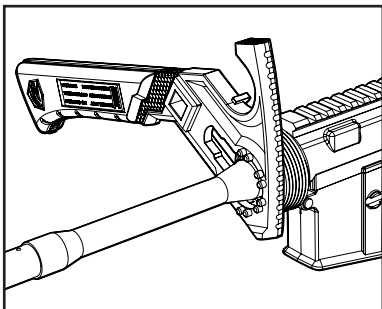
# ARMORER'S MASTER WRENCH™

## USER GUIDE & WARRANTY



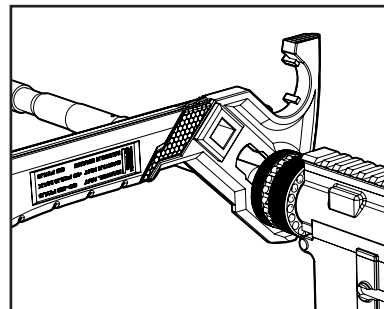
**SAFETY:** Before using the Armorer's Master Wrench on a firearm, you must **MAKE SURE THAT THE FIREARM IS UNLOADED AND SAFE** to work on. It is your responsibility to exercise caution during the use of this tool, especially when applying torque. Make sure to follow the manufacturer's recommended torque setting when applying torque. **DO NOT APPLY EXCESSIVE TORQUE.** To avoid injury, or damage to your firearm, check for correct fit of all implements carefully before use. To avoid damaging your firearm, make sure that you are using the proper devices to securely hold it in place (barrel blocks, upper vise blocks, lower vise blocks etc.).

## CORE FUNCTIONS



### MIL-SPEC BARREL NUT:

For standard barrel nut installation, align wrench carefully and engage teeth fully. Apply recommended torque (usually between 30 and 80 ft/lbs) to align gas tube with one of the notches in the barrel nut.

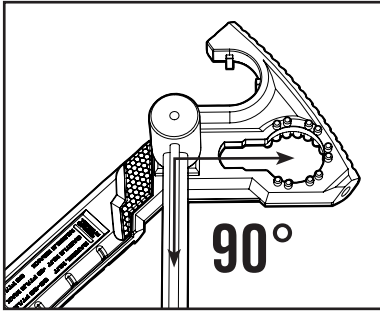


### FREE-FLOAT BARREL NUT:

For free-float barrel nut installation, align wrench carefully and engage posts fully. Apply recommended torque (usually between 30 and 80 ft/lbs) to align gas tube with one of the holes in the barrel nut.

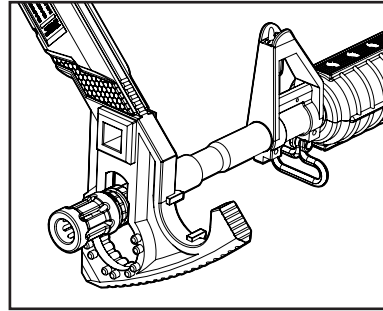


# ARMORER'S MASTER WRENCH™



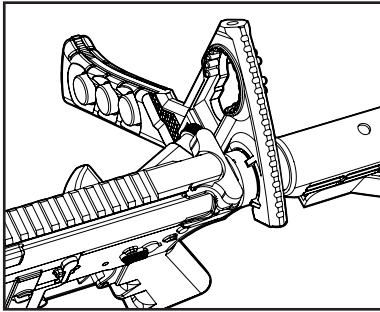
## 1/2" TORQUE WRENCH:

For proper torque application, draw an imaginary line between the Armorer's Wrench feature being used and the 1/2" torque wrench connection point. Next, position the handle of your torque wrench so that it is 90° to the imaginary line. Finally, apply torque. Illustration shows proper orientation for barrel nut wrench.



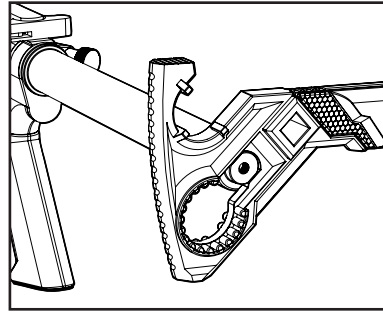
## 3/4" MUZZLE BRAKE WRENCH:

When removing a muzzle brake or flash hider, apply torque carefully to avoid slipping or marring. If a muzzle device is stuck don't apply excessive torque, consult an expert. When installing a muzzle device, do not exceed manufacturer's torque specification (usually less than 30 ft/lbs).



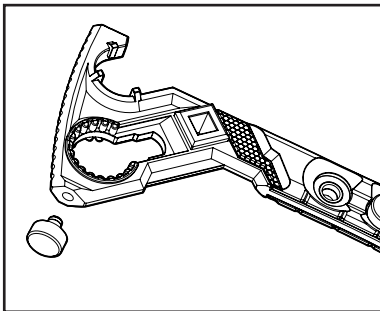
## CASTLE NUT WRENCH:

The castle nut wrench can be used in two orientations. One side has elongated teeth (as shown) to work around aftermarket end plates. If possible, use the opposite side of the wrench for maximum grip. Tighten castle nut to the manufacturer's recommendation (40 ft/lbs or less) and stake.



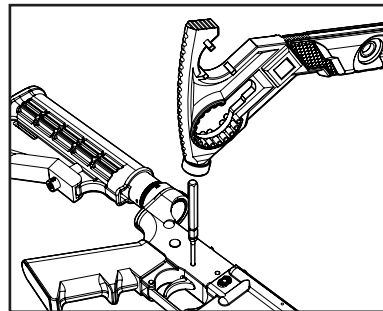
## 5/8" FIXED STOCK RECEIVER EXTENSION WRENCH:

Make sure the receiver extension wrench is seated fully before applying the manufacturer's recommended torque value during installation (usually 40 ft/lbs). This 5/8" wrench can also help install and remove some muzzle devices as well.



## HAMMER HEADS (STORAGE):

Thanks to the addition of the interchangeable hammer heads, this wrench has the ability to transform into an armorer's hammer as well. The hammer heads easily unthread from their stored position in the handle to their in-use position on the side of the casting (as shown).



## HAMMER HEADS (IN-USE):

Be sure to use the proper hammer head for the job at hand to avoid damaging the firearm or hammer head. For example, the brass hammer head can be used with a pin punch for most pins, but for stubborn front sight pins, the built-in stainless steel hammer head should be used with a punch instead.

**CARE & MAINTENANCE:** Your Armorer's Master Wrench should be cleaned periodically. Clean with a lightweight machine oil or non-volatile penetrating oil. Avoid getting oil on the handle and remove overspray or spillage. Note that the main casting is made of corrosion-resistant stainless steel, but no stainless steel is rust proof. If spots or stains appear, remove with a non-abrasive pad and penetrating oil. Use caution to avoid harming the outer coating.

**WARNING:** If deformation of wrench surfaces occurs, do not attempt to continue using the wrench. Using a deformed wrench increases the potential for slipping and potentially damaging gun components and personal injury.

## WARRANTY

**WARRANTY:** Limited – 3 Year Warranty: The Armorer's Master Wrench is guaranteed free of defects in materials and workmanship for three years from date of original purchase. Real Avid will replace or repair any product that proves defective upon our inspection. Use of the Armorer's Master Wrench for anything other than its intended purpose is considered misuse and voids this warranty. For warranty service, send the product, proof of purchase with shipping paid, along with an explanation of the defect, as well as your name, address and phone number to the address below. This warranty excludes damage resulting from deliberate or accidental misuse. Warranty does not cover rust, stains or corrosion, or normal wear and tear. Repair or replacement is the exclusive remedy under this warranty. Real Avid, its partners and affiliates are not liable for incidental or consequential damage resulting from use. Some states do not allow exclusion or limitation of incidental or consequential damages; therefore, the above exclusions may not apply to you. This warranty gives you specific legal rights, and you may have other rights, which vary from state to state.

**TO FRIENDS AND CUSTOMERS:** As the owners of Real Avid, authenticity isn't just a strategy here. It's a guiding philosophy. It arises out of our faith and personal relationships with Jesus Christ. We know that our creativity and success ultimately comes from Him. He cares about each of us and about our customers. We're not perfect, but we are committed to following Him in our personal and business lives. We look forward to growing our relationship with you and continuing to earn our place.



Revo Brand Group, LLC  
5480 Nathan Lane North, Suite 120  
Minneapolis, MN 55442 USA

RealAvid.com • 800-286-0567

©2018 Revo Brand Group